



silver



champagne



gold



light brown



dark brown



white



titanium painted

Colours

The turn handles DIRIGENT, ADAGIO, MODENA, SOPRANO and SAN REMO are made from aluminium with painted or powder coated finish. The handles are available in the following standard colours (with matching rosettes):

- F 1/EV 1, silver
- F 2/EV 2, champagne
- F 3, gold
- F 4, light brown
- dark brown (RAL 8022 matt)
- white (RAL 9016)
- titanium painted

Illustration: handle type DIRIGENT

Available colours	Standard types Quantities					Example: Order number 6-28072-29-0-7
	DIRIGENT	ADAGIO	MODENA	SOPRANO	SAN REMO	
silver	20	20	100*	20	20	6-28072- - -00 - - = Article number - -29 - - = without spindle - -33 - - = spindle length 29 mm - -38 - - = spindle length 33 mm - -43 - - = spindle length 38 mm - - - - = spindle length 43 mm - - -0 - - = usable on both sides - - -L - - = DIN left - - -R - - = DIN right - - - - -11 = F 1/EV 1, silver - - - - -22 = F 2/EV 2, champagne - - - - -3 = F 3, gold colour - - - - -A = F 4, light brown - - - - -5 = dark brown (RAL 8022) - - - - -7 = white (RAL 9016) - - - - -C = titanium painted
champagne	20	20	20	-	20	
gold colour	20	20	20	-	20	
light brown	20	20	20	-	20	
dark brown	20	20	20	20	20	
white	20	100*	100*	20	20	
titanium	20	20	20	-	20	

*Packing unit (lockable types: PU = 20)

Turn handles for windows

The turn handles DIRIGENT captivate by their clear shape. Elegance and functionality are the main features of the DIRIGENT design. The programme comprises inside and outside handles made from aluminium for timber, PVC and aluminium windows and balcony doors.

Standard types

Description	Variant	Order number
DIRIGENT-F	inside ¹	6-28072-* *-0-*
DIRIGENT-F/Z	inside, with locking cylinder ¹	6-28075-* *-0-*
DIRIGENT-F/F	inside, flat	6-28101-00-0-*
DIRIGENT-F/H	inside, high	6-28102-00-0-*
DIRIGENT-F/A	outside	6-25993-00-0-*

¹ also without spindle

Special types

Description	Variant	Order number
DIRIGENT-F/SP	inside, 45° stop	6-28094-* *-0-*
DIRIGENT-F/KD	inside, with childproof safety button	6-30268-* *-0-*
DIRIGENT-F/CHK	inside, with Swiss type night lock	6-28096-00-0-*
DIRIGENT-F/SG	inside, removable	8-00694-50-0-7
DIRIGENT first tilt	inside, first tilt, lockable	6-25993-00-0-* 6-31557-* *-0-*
DIRIGENT-F/AF	outside, flat	6-25223-00-0-*



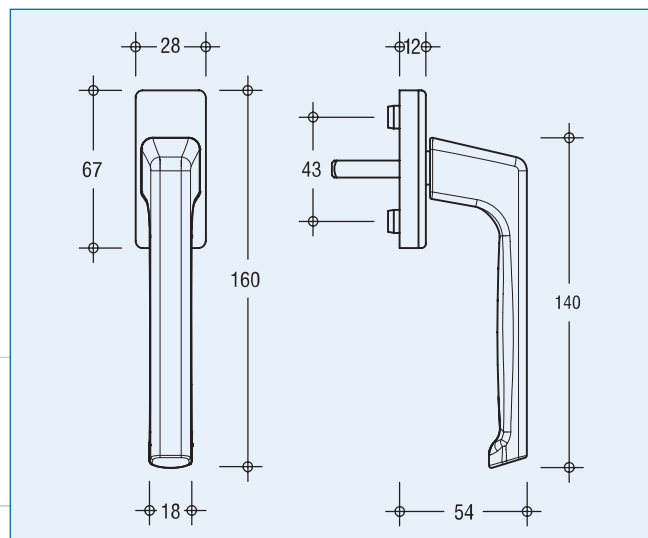
Cranked inside handles for outward opening windows and balcony doors (side hung)

Description	Variant	Order number
DIRIGENT-F/GF-LS	crank for DIN left, flat	6-28105-00-0-*
DIRIGENT-F/GF-RS	crank for DIN right, flat	6-28106-00-0-*

Cranked outside handles for inward opening windows and balcony doors (side hung)

Description	Variant	Order number
DIRIGENT-F/AGF-LS	crank for DIN left, flat	6-27350-00-0-*
DIRIGENT-F/AGF-RS	crank for DIN right, flat	6-27349-00-0-*

* Spindle length and colours see page 3

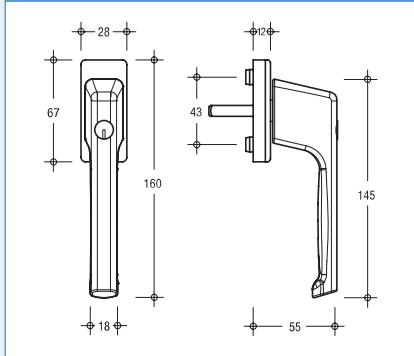


Technical data

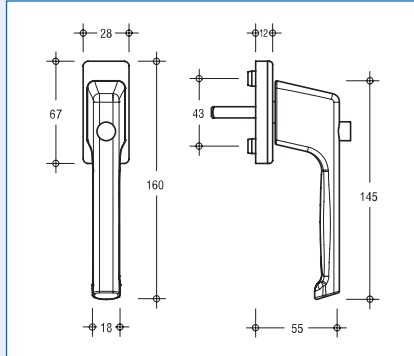
Inside rosette	28 x 67 mm
Detent	90° or 90° and 45° with F/SP
Positioning plugs	Ø 10 mm
Length of pos. plugs	5 mm
Square spindle	fixed, 7 x 29, 7 x 33, 7 x 38 or 7 x 43 mm
Differ	F/Z keyed alike
Rosette cover	turnable
Fixing	concealed

DIRIGENT-F, DIRIGENT-F/SP

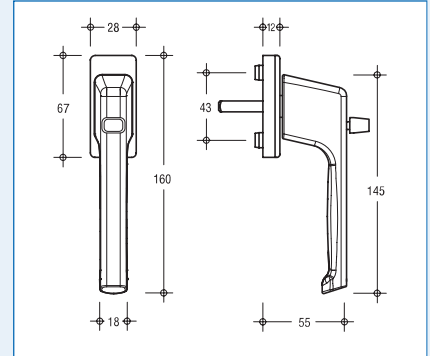
Dimensions of special types



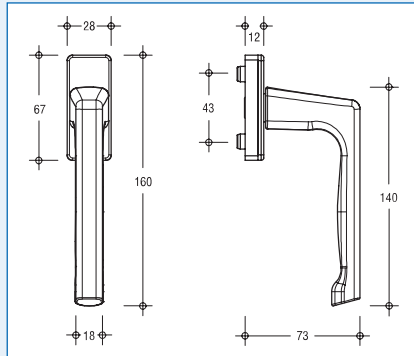
DIRIGENT-F/Z



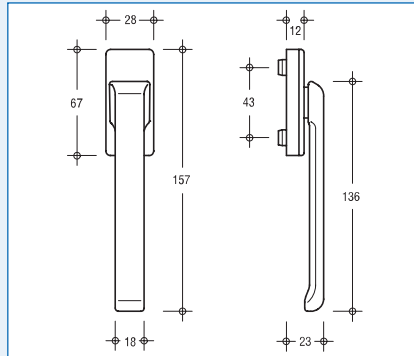
DIRIGENT-F/KD



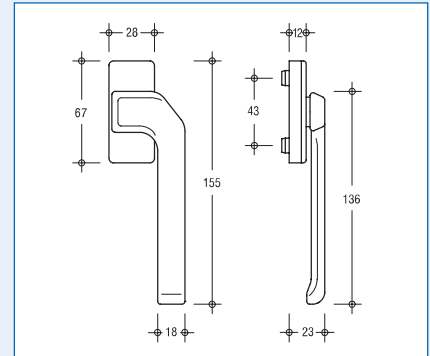
DIRIGENT-F/CHK



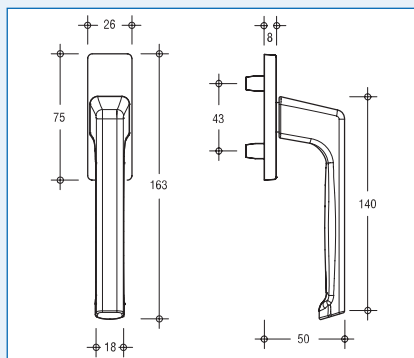
DIRIGENT-F/H



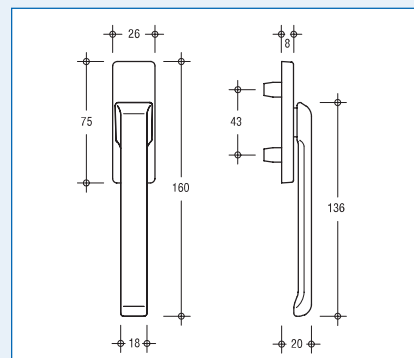
DIRIGENT-F/F



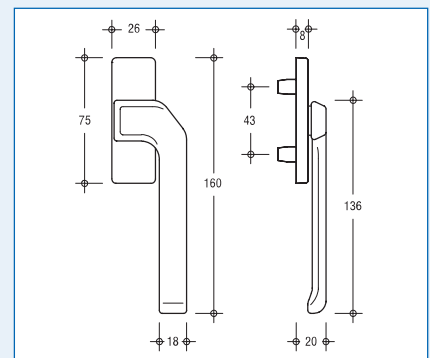
DIRIGENT-F/GF (illustrated: DIN left)



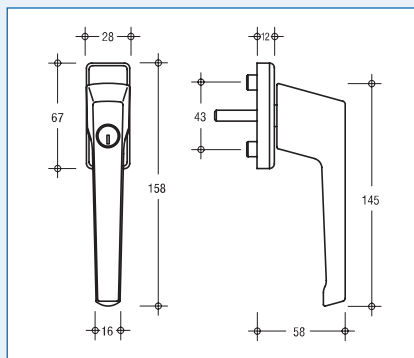
DIRIGENT-F/A



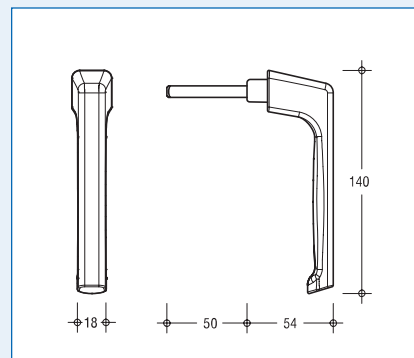
DIRIGENT-F/AF



DIRIGENT-F/AGF (illustrated: DIN left)



DIRIGENT first tilt

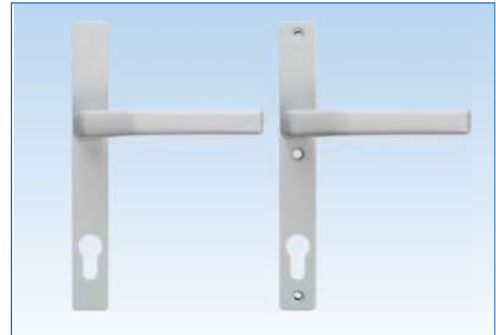


DIRIGENT-F/SG

Narrow stile furniture sets for doors

DIRIGENT-T/S – Slanted handle, backplate outside and inside, fixed backplate with friction washer

Backplate height 220 mm
 Backplate width 28 mm
 Backplate thickness 9 mm
 Centres 70, 72 and 92 mm
 Square spindle 7 mm (for 70 mm centres)
 8 mm (for 72, 92 mm centres)
 No. of screws 2 (for 70, 72 mm centres)
 3 (for 92 mm centres)
 Square backplate
 Colour: silver, brown (RAL 8022 matt), white (RAL 9016)



Monobloc DIRIGENT
 Turn handle inside and outside, inclusive fastening screws and square spindle

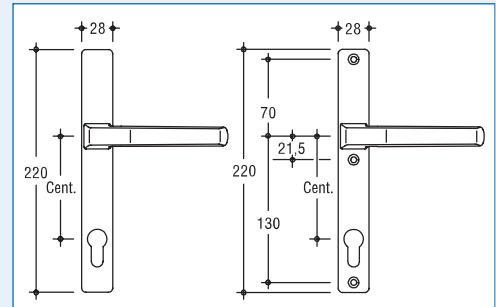
Monobloc DIRIGENT without springs

PU	Cent.	Colour	Order number
5 sets	92 mm	silver	K-16754-45-0-1
5 sets	92 mm	brown	K-16754-45-0-5
5 sets	92 mm	white	K-16754-45-0-7
5 sets	72 mm	*	K-16754-52-0-*
5 sets	70 mm	*	K-16973-51-0-*

Monobloc DIRIGENT with springs ¹

5 sets	92 mm	*	K-16753-45-0-*
--------	-------	---	----------------

¹ Centres 72 and 70 mm on request



Monobloc DIRIGENT
 Turn handle inside, fixed pull outside, inclusive fastening screws and square spindle

(Figure shows rh variant)

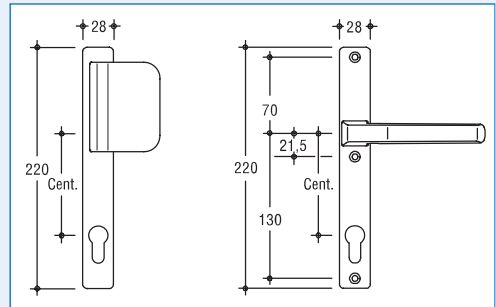
Monobloc DIRIGENT without springs

PU	Cent.	Colour	Order number
2 sets	92 mm	silver	K-16756-45-L/R-1
2 sets	92 mm	brown	K-16756-45-L/R-5
2 sets	92 mm	white	K-16756-45-L/R-7
2 sets	72 mm	*	K-16756-52-L/R-*
2 sets	70 mm	*	K-16974-51-L/R-*

Monobloc DIRIGENT with springs ²

2 sets	92 mm	*	K-16755-45-L/R-*
--------	-------	---	------------------

² Centres 72 and 70 mm on request



Monobloc DIRIGENT
 Single back plate, turn handle inside

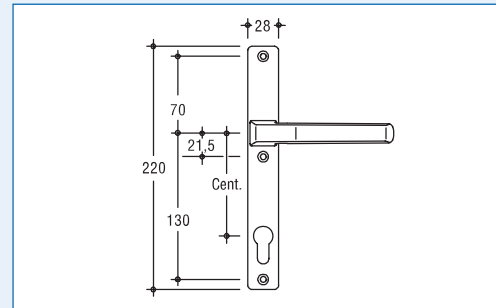
Monobloc DIRIGENT without springs

PU	Cent.	Colour	Order number
10 pcs.	92 mm	silver	6-32372-45-0-1
10 pcs.	92 mm	brown	6-32372-45-0-5
10 pcs.	92 mm	white	6-32372-45-0-7
10 pcs.	72 mm	*	6-32372-52-0-*
10 pcs.	70 mm	*	6-32373-51-0-*

Monobloc DIRIGENT with springs ³

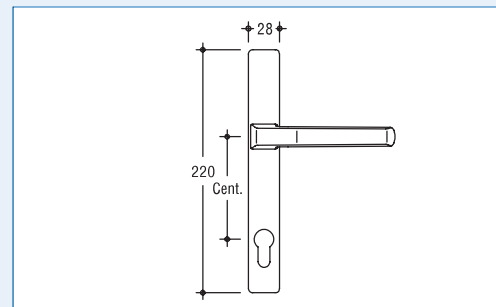
10 pcs.	92 mm	*	6-32366-45-0-*
---------	-------	---	----------------

³ Centres 72 and 70 mm on request



Monobloc DIRIGENT
 Single back plate, turn handle outside

PU	Cent.	Colour	Order number
10 pcs.	92 mm	silver	6-32369-45-0-1
10 pcs.	92 mm	brown	6-32369-45-0-5
10 pcs.	92 mm	white	6-32369-45-0-7
10 pcs.	72 mm	*	6-32369-52-0-*
10 pcs.	70 mm	*	6-32370-51-0-*

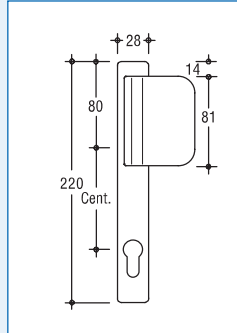


Narrow stile furniture sets for doors

Monobloc DIRIGENT

Single back plate, fixed pull outside
(Figure shows rh variant)

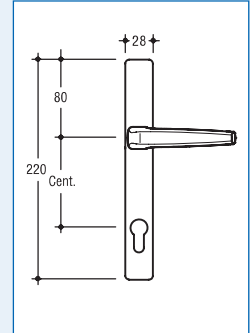
PU	Cent.	Colour	Order number
4 pcs.	92 mm	silver	6-32423-45-L/R-1
4 pcs.	92 mm	brown	6-32423-45-L/R-5
4 pcs.	92 mm	white	6-32423-45-L/R-7
4 pcs.	72 mm	*	6-32423-52-L/R-*
4 pcs.	70 mm	*	6-32423-51-L/R-*



Monobloc DIRIGENT

Single back plate, flat turn handle outside

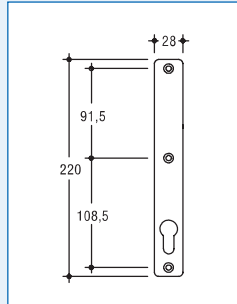
PU	Cent.	Colour	Order number
10 pcs.	92 mm	silver	6-32405-45-0-1
10 pcs.	92 mm	brown	6-32405-45-0-5
10 pcs.	92 mm	white	6-32405-45-0-7
10 pcs.	72 mm	*	6-32405-52-0-*
10 pcs.	70 mm	*	6-32406-51-0-*



Monobloc DIRIGENT

Inside backplate with cylinder bore

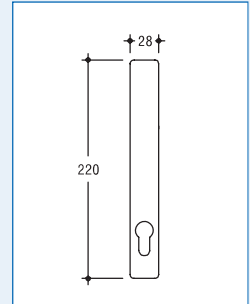
PU	Cent.	Colour	Order number
10 pcs.	92 mm	silver	9-42457-45-0-1
10 pcs.	92 mm	brown	9-42457-45-0-5
10 pcs.	92 mm	white	9-42457-45-0-7
10 pcs.	72 mm	*	9-42457-52-0-*
10 pcs.	70 mm	*	9-42457-51-0-*



Monobloc DIRIGENT

Outside backplate with cylinder bore

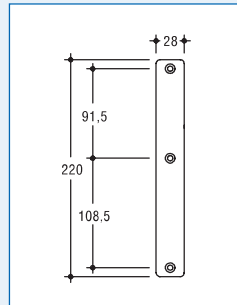
PU	Cent.	Colour	Order number
10 pcs.	92 mm	silver	9-42456-45-0-1
10 pcs.	92 mm	brown	9-42456-45-0-5
10 pcs.	92 mm	white	9-42456-45-0-7
10 pcs.	72 mm	*	9-42456-52-0-*
10 pcs.	70 mm	*	9-42456-51-0-*



Monobloc DIRIGENT

Dummy backplate inside

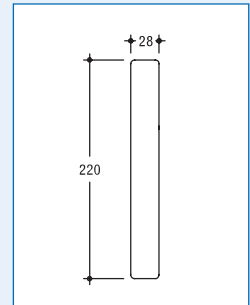
PU	Screws	Colour	Order number
10 pcs.	3 pcs.	silver	9-42457-40-0-1
10 pcs.	3 pcs.	brown	9-42457-40-0-5
10 pcs.	3 pcs.	white	9-42457-40-0-7
10 pcs.	2 pcs.	*	9-42457-50-0-*



Monobloc DIRIGENT

Dummy backplate outside

PU	Screws	Colour	Order number
10 pcs.	3 pcs.	silver	9-42456-40-0-1
10 pcs.	3 pcs.	brown	9-42456-40-0-5
10 pcs.	3 pcs.	white	9-42456-40-0-7
10 pcs.	2 pcs.	*	9-42456-50-0-*



Accessories:

Set of 2 turn handles

PU	Cent.	Colour	Screws	Square	Order number
10 sets	92 mm	silver	3 pcs.	8 x 130	K-15203-00-0-1
10 sets	92 mm	brown	3 pcs.	8 x 130	K-15203-00-0-5
10 sets	92 mm	white	3 pcs.	8 x 130	K-15203-00-0-7
10 sets	72 mm	*	2 pcs.	8 x 130	K-15203-02-0-*
10 sets	70 mm	*	2 pcs.	7 x 130	K-15929-13-0-*

Accessories: Set of turn handle/fixd pull

alternatively turn handle/dummy

PU	Cent.	Colour	Screws	Square	Order number
10 sets	92 mm	silver	3 pcs.	8 x 100	K-15203-05-0-1
10 sets	92 mm	brown	3 pcs.	8 x 100	K-15203-05-0-5
10 sets	92 mm	white	3 pcs.	8 x 100	K-15203-05-0-7
10 sets	72 mm	*	2 pcs.	8 x 100	K-15203-04-0-*
10 sets	70 mm	*	2 pcs.	7 x 100	K-15929-10-0-*

Monobloc accessories are suitable for door leaf thicknesses from 54 to 84 mm

Square spindle 7 or 8 mm, length 130 mm

Phillips screw M 5, length 90 mm